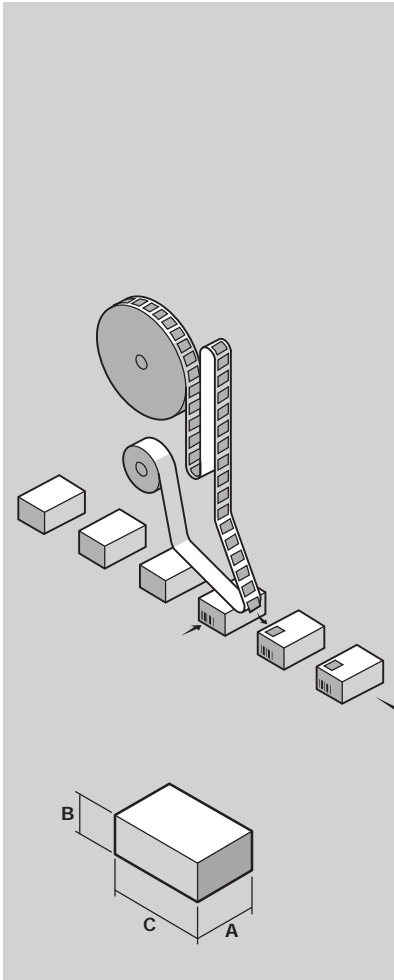




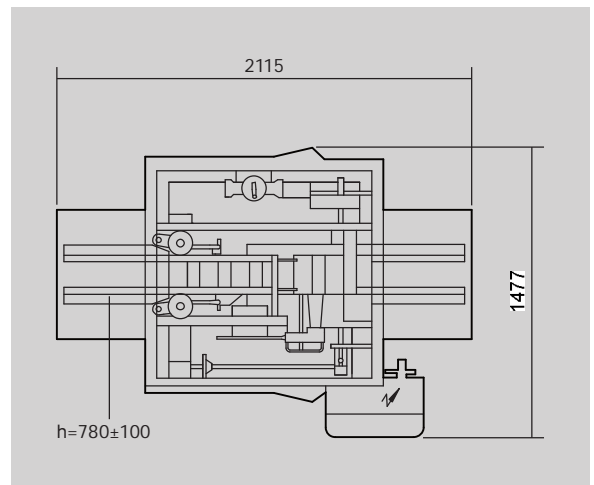
TTS

Tracking code application and reading machine



TECHNICAL DATA

Production up to	STROKES/1'	350
Motors	KW	2,5
Power absorption	KW	3,5
Air consumption	NI/1'	1
Air pressure	bar	5÷6
Gross weight	kg	~158
Net weight	kg	~150
Size range	min.	max.
A	20	95
B	12	70
C	70	200



The above technical data are not binding and may be subject to change without prior notice.

This publication supersedes and replaces any previous edition and revision. All rights reserved. No part of this publication may be reproduced, stored in a retrieval system or transmitted in any form or by any means, electronic, mechanical, photocopying, recording or otherwise, without permission of Tecnicam s.r.l. (Bologna - Italy).

CM-007-uk (10/04/2014)